

CERVINO

2015 MARCEL WOLTERINCK



DESIGN INSPIRATION

The Monte Cervino—or, if you prefer, Matterhorn—is a piece of intricate design by Mother Nature. Outlined against a clear blue winter's sky, it appears slender, elegant, almost as light as a feather. But its timeless presence will outlast everyone and everything as, underneath, it is powerful and strong. It is this juxtaposition between 'hard' and 'soft', between 'elegant' and 'sturdy' that inspired Marcel Wolterinck's Cervino series.

LINTELOO



SHOWN MODEL IS EXECUTED IN COMO 34. LUMBAR CUSHIONS IN VIZZINI 219

DESIGNED BY MARCEL WOLTERINCK

When Marcel Wolterinck opened his flower shop in Laren, the Netherlands, in 1986, little did he know he would soon be one of the prominent representatives of modern Dutch design. His floral creations with their immediately recognizable ‘Wolterinck signature’, evolved into interior design projects around the world. It will come as no surprise that Marcel loves using wood and other natural materials, celebrating their unique variations in texture and colour. His designs are sophisticated yet utterly liveable, with a strong emphasis on a sense of warmth and comfort. Marcel loves the interplay between indoor and outdoor spaces: ‘I enjoy design in which the outside and inside grow together and towards each other, overlapping and connecting.’



SPECIFICATIONS

Body: Metal frame with polyurethane foam, 100% cotton inner cover.

Seat sofa: Sprung seat, with a polyurethane foam core, wrapped in a 100% cotton duvet filled with goose down and feathers or hypoallergenic polyester fibre.

Seat armchair/diningchair: Polyurethane foam core, in varying densities for optimum support and comfort, wrapped in hypoallergenic polyester fibre, 100% cotton inner cover.

Back cushions and (optional) lumbar cushion: Hypoallergenic polyester fibre, 100% inner cover.

Legs: Powder-coated steel (bronze).

Upholstery: Composition depends on the customer’s choice of upholstery. Leathers are either aniline or pigmented/sealed.



OPTIONS

Upholstery: Fabric: removable, available in all fabrics from the LINTELOO collection. Leather: fixed, available in all leathers from the LINTELOO collection. Please note: leather upholstery requires more (visible) seams than fabric upholstery. Customers can opt to supply their own choice of upholstery fabric/leather. For an impression of LINTELOO’s fabrics and leathers, see ‘Materials’ at linteloo.com

Cushions: The sofa’s (optional) lumbar cushions are reversible.

Special features: Each part of a Cervino sofa, dining chair or armchair (body, back and—optional—lumbar cushion) can be upholstered in a different fabric or leather, for an interesting play with texture or colour. Full set of fabric replacement covers available at 50% of the current retail price of the piece of furniture. Leather replacement covers on request.



MAINTENANCE

All LINTELOO furniture has been made with love and care. Of course, we want you to enjoy it, for as long as possible. Proper maintenance will prolong its lifespan, which is why each piece of LINTELOO furniture comes with a maintenance instruction booklet, also available for download at linteloo.com. Detailed information on care and cleaning, including the recommended products, can also be found at linteloo-care.nl.

Upholstery: Maintenance of the upholstery obviously depends on your choice of fabric or leather. As a rule of thumb, fabric upholstery—especially when removable—is easier to clean in case of spots and spills than leather. On the other hand, leather will handle regular wear and tear better, in a sense that the odd sign of use only adds to its character.

Cushions: Again, the level of maintenance depends on your choice of filling. Down/feather-filled cushions require regular plumping up and airing. But you may prefer the firmer seating experience and hypoallergenic qualities that a 100% polyester filling provides.

Legs: The occasional wipe-down with a damp cloth is all it takes.



■ Regular wear and tear, damages and discolouration of upholstery (fabric and/or leather).

■ Creasing, colour and structure variations and other irregularities, which are part of the natural characteristics of fabrics, leather and/or wood.

■ Complaints regarding fabrics and/or leathers which are not part of the standard LINTELOO collection (specially supplied fabrics and/or leathers).

■ Damages caused by improper use, inadequate or incorrect maintenance, or repairs carried out outside the scope of LINTELOO's responsibility. LINTELOO uses the Terms and Conditions of the Centrale Bond van Meubelfabrikanten, available at www.linteloo.com.

If you have any questions, please contact your LINTELOO dealer or LINTELOO's customer service department.

WARRANTY

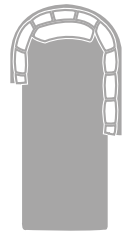
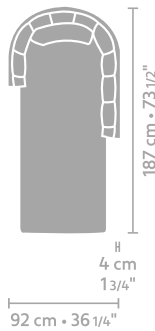
All LINTELOO sofas and chairs are backed by a 10-year warranty on the frame. Cushions, upholstery and all other LINTELOO products are backed by a 3-year warranty, with a depreciation of 1/3 each year. Please make sure you keep your invoice or receipt. Excluded from the warranty are:



DIMENSIONS

metrage	14,20	8,10	4,40
metrage	1,70	16,50	9,90
metrage	5,00	1,70	18,80
metrage	11,70	5,50	1,70

DIMENSIONS

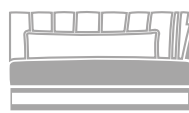
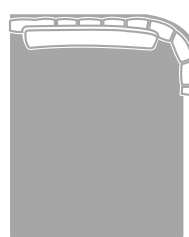
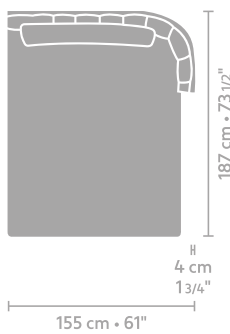


**lounge chair L/R
complete**
metrage 11,70

**lounge chair
base and seat L/R**
8,10

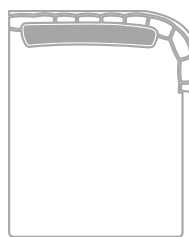
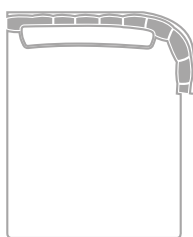
**lounge chair
back cushions**
2,80

**lounge chair
lumbar cushions**
0,83



daybed L/R complete
metrage 12,60

daybed base and seat L/R
9,00



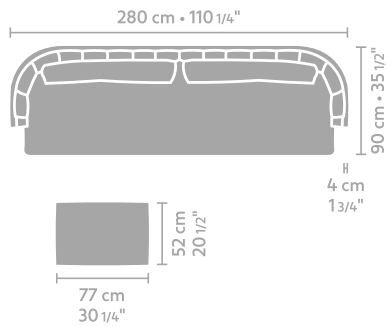
daybed back cushions
metrage 2,80

daybed lumbar cushions
0,80

DIMENSIONS

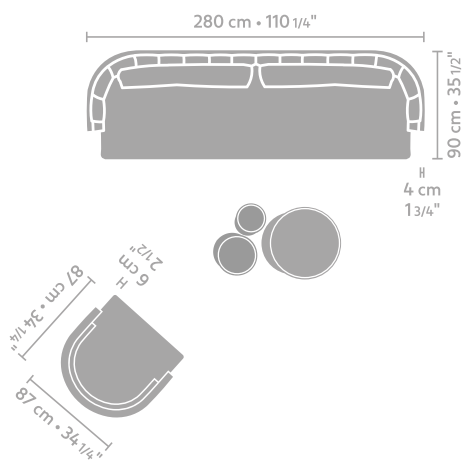
metrage	armchair complete 5,20	armchair base and seat 4,50	armchair back cushion * 0,70	ottoman 1,43
metrage	dining chair complete 3,10	dining chair base and seat * 2,64	dining chair back cushion * 1,40	
metrage	dining chair XL complete 3,30	dining chair XL base and seat * 2,86	dining chair XL back cushions * 1,40	
metrage	dining chair high back complete 4,00	dining chair high back base and seat * 3,41	dining chair high back back cushion * 1,40	

CONFIGURATION 1



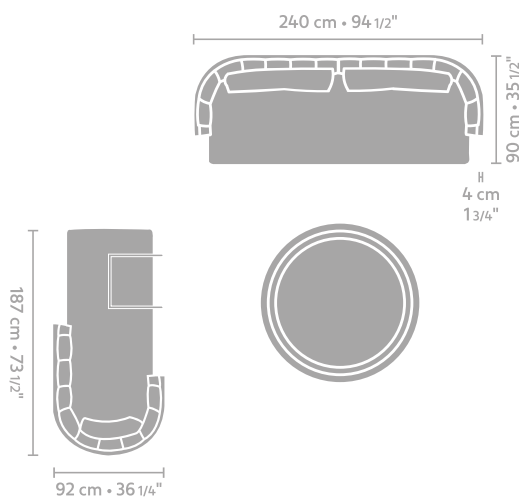
- 4 seater
- Ottoman 77 x 52

CONFIGURATION 2



- 4 seater
- Armchair 87 x 87
- Balanced side table medium
- Balanced side table large
- Balanced side table extra large

CONFIGURATION 3



- 3,5 seater
- Longchair
- Obi 131
- Mantova side table high